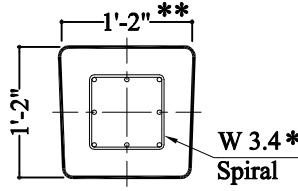


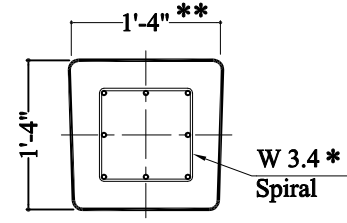
12" Pile

Strand Pattern (typ.) - 4 ~ 1/2"Ø,
Grade 270 LRS, at 31 kips
A=144 in² ;
Ix-x=1728 in⁴ ;
Yb=6.00 in ;
Wt=150 plf



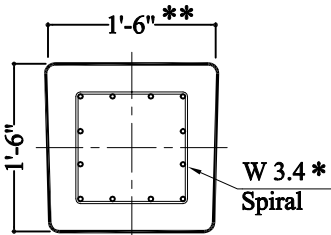
14" Pile

Strand Pattern (typ.) - 8 ~ 1/2"Ø,
Grade 270 LRS, at 31.0 kips
A=196 in² ;
Ix-x=3201 in⁴ ;
Yb=7.00 in ;
Wt=204 plf



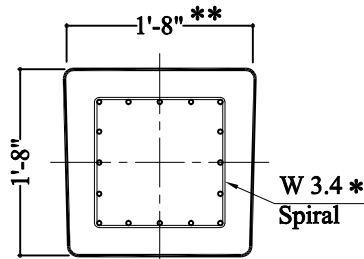
16" Pile

Strand Pattern (typ.) - 8 ~ 1/2"Ø,
Grade 270 (Spec.) LRS, at 34.0 kips
A=256 in² ;
Ix-x=5461 in⁴ ;
Yb=8.00 in ;
Wt=267 plf



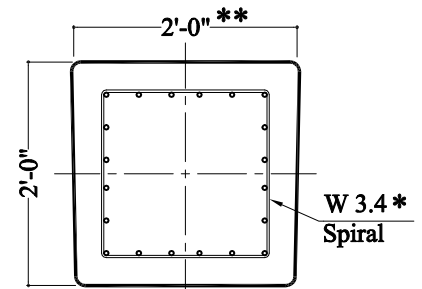
18" Pile

Strand Pattern (typ.) - 12 ~ 1/2"Ø,
Grade 270 (Spec.) LRS, at 34.0 kips
A=324 in² ;
Ix-x=8748 in⁴ ;
Yb=9.00 in ;
Wt=338 plf



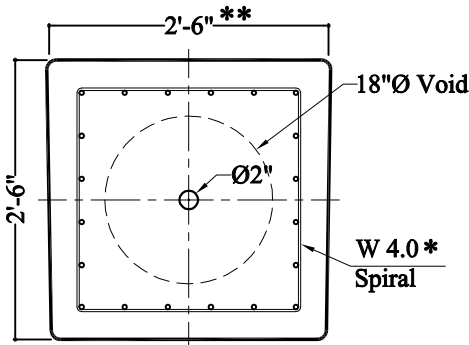
20" Pile

Strand Pattern (typ.) - 16 ~ 1/2"Ø,
Grade 270 LRS, at 31.0 kips
A=400 in² ;
Ix-x=13,333 in⁴ ;
Yb=10.00 in ;
Wt=417 plf



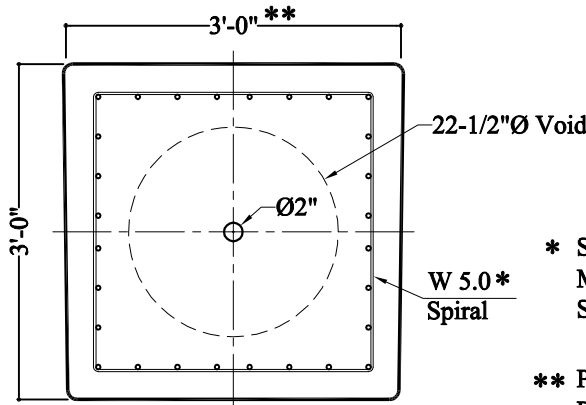
24" Pile

Strand Pattern (typ.) - 20 ~ 1/2"Ø,
Grade 270(spec.)LRS, at 34.0 kips
A=576 in² ;
Ix-x=27,648 in⁴ ;
Yb=12.00 in ;
Wt=600 plf



30" Pile

Strand Pattern (typ.) - 20 ~ 0.6"Ø,
Grade 270 LRS, at 41.0 kips
A=900 in² ;
Ix-x=67,500 in⁴ ;
Yb=15.00 in ;
Wt=683 plf - Voided Section



36" Pile

Strand Pattern - Varies per Project
A=1,296 in² ;
Ix-x=139,968 in⁴ ;
Yb=18 in ;
Wt= 953 plf - Voided Section

* SPIRAL & STRAND PATTERN
MAY CHANGE FROM
STATE TO STATE.

** PILE FORMS HAVE A 3/8" MIN.
DRAFT TO ALLOW FORM REMOVAL
DIMENSION IS FROM CENTER OF PILE

ALL PILE CORNERS ARE
ROUNDED UP TO 1" RADIUS.

ALL WEIGHTS ARE NOMINAL.

CORPORATE

P.O. Box 1360
Columbus, GA 31902-1360
Phone: (706) 322-3274
Fax: (706) 322-7856

ATLANTA

P.O. Box 93157
Atlanta, GA 30377-0157
Phone: (404) 792-1600
Fax: (404) 792-1247

MOBILE

P.O. Box 607
Theodore, AL 36590-0607
Phone: (251) 443-1113
Fax: (251) 443-1162

SAVANNAH

P.O. Box 5007
Savannah, GA 31414-5007
Phone: (912) 233-8263
Fax: (912) 236-4689

TAMPA

P.O. Box 19449
Tampa, FL 33686-9449
Phone: (813) 831-9520
Fax: (813) 831-3165